

## BODY TEMPERATURE SCREENING SMART CAMERA

WIFI-BATTERY-RECORD-ALARM

Available on the APP Store

Get it on Google play



Temperature Screening



Abnormal Alarm



Accuracy±0.3°C



Full HD 1080P



Wi-Fi



AP Hotspot



Rechargeable Battery



High Efficiency Control



Two way audio

## ABOUT SY-SB2-B

SY-SB2-B is an intelligent camera that uses thermal imaging technology and network processing system to perform high-speed temperature measurement, screening, recording and real-time surveillance video.

It is a complete epidemic prevention solution integrating body temperature screening and pre-warning monitoring.

Built-in warning system, which can realize on-site alarm of body temperature abnormality. Built-in network transmission module, can realize remote monitoring, remote transmission of temperature measurement results, and push abnormal body temperature information.

Built-in battery, it can work for 8 hours, and can be equipped with support frame for temporary control on site.

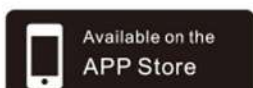


# Temperature Screening Actions

1. When the device detects someone into the monitored area, voice alerts "Please go to the temperature measuring point for temperature measurement"
2. When the body pass the temperature area, within 1 meter distance and 30 degrees of camera, the device will measure the temperature and determine it in 0.5 seconds
3. According to the temperature data, when temperature is normal, the device indicates that the body temperature is normal and instantly returns to normal temperature measuring state
4. According to the temperature data, when the body temperature exceeds 37.3, the device will immediately enter into the alert mode, trigger the built-in alarm siren, voice reminding temperature abnormality, and push to the terminal synchronously
5. Each temperature measurement process is completed in 0.5-second sensorless multipoint, the device synchronously displays the real-time terminal, and synchronously stores the temperature superposition chart, temperature data and temperature measurement video
6. The temperature data are calculated in real time and displayed synchronously according to daily statistics



## APP



Realtme video & temperature



Fever



Recent Activity



Video playback

## Diversified Display

SY-SB2-B's real-time temperature measuring interface and historical playback can be realized on mobile phone, PAD terminal, computer Windows software and digital screen TV software through wireless network and wired network.



Mobile phone



PAD



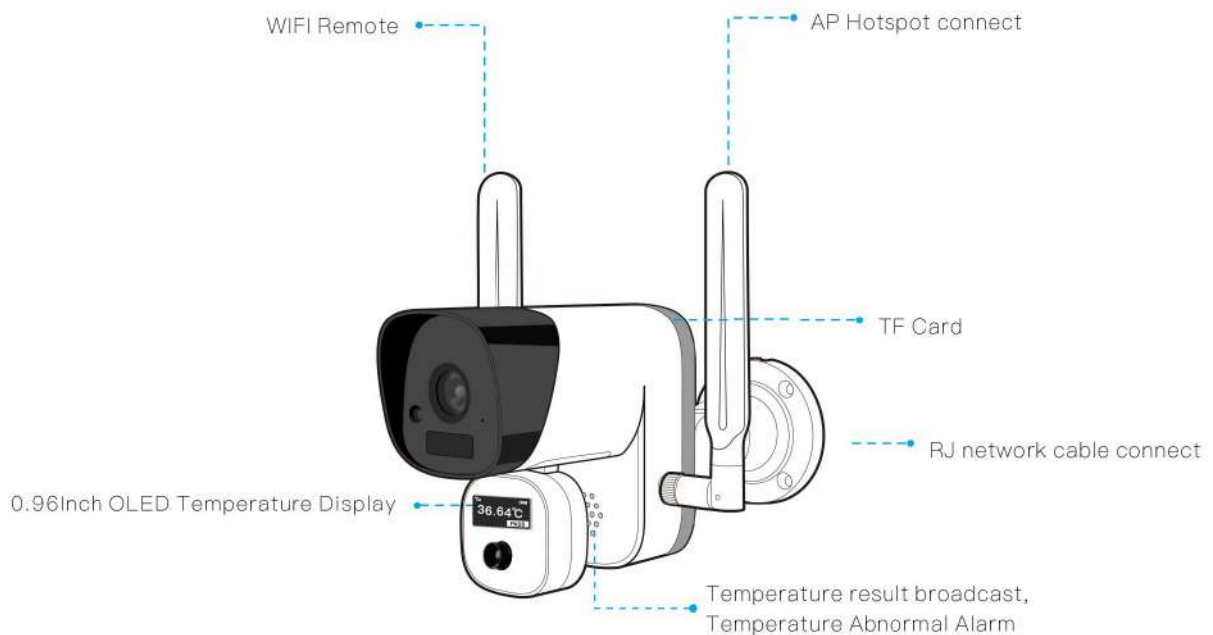
PC Control



Digital Screen Display

## Data Output

Temperature measurement data output and video presentation, which can be output wirelessly through WIFI and AP hotspot or through RJ network cable. The temperature data is also displayed synchronously on the OLED screen in front of the device, temperature screening results are synchronized to the device and broadcast by voice. All temperature data and video records are stored on the device's memory card



## A STAND ALONE WORKING

Built in Rechargeable battery, can work for 8 hours. Bracket base is with 1/4 standard thread, can both work with floor scaffold and ceiling bracket. No need to connect any extra device, SY-SB2-B will automatically remind you to cooperate with the temperature measurement, determine the human type and conduct automatic temperature screening. All measurement results, temperature image data and records will be saved in memory card of device. When abnormal body temperature is detected, the device triggers its built-in alarm siren and voice alerts.



## B REAL-TIME DISPLAY

Terminal equipment can configure device SY-SB2-B via WIFI, or hot spot of SY-SB2-B itself, it can be configured to connect to WIFI router to remote receiving live video and temperature measurement condition, the statistical data will be real-time displayed on the terminal equipment, at the same time can check the historical record of the temperature measurement, image recording and video playback.

SY-SB2-B will automatically remind you to cooperate with the temperature measurement, determine the human type and conduct automatic temperature screening. All measurement results, temperature image data and records will be saved in memory card of device. When abnormal body temperature is detected, the device triggers its built-in alarm siren and voice alerts, synchronously display on the terminal equipment in real time.



Digital screen can be installed with TV software of Findcam, connect SY-SB2-B via hot pot straightly or WIFI, cable and other local area network (LAN), can also connect online SY-SB2-B via remote network to remote receiving live video and temperature measurement condition, the statistical data will be real-time displayed on digital screen, at the same time can check the historical record of the temperature measurement, image recording and video playback.

SY-SB2-B will automatically remind you to cooperate with the temperature measurement, determine the human type and conduct automatic temperature screening. All measurement results, temperature image data and records will be saved in memory card of device. When abnormal body temperature is detected, the device triggers its built-in alarm siren and voice alerts, synchronously display on the digital screen in real time.



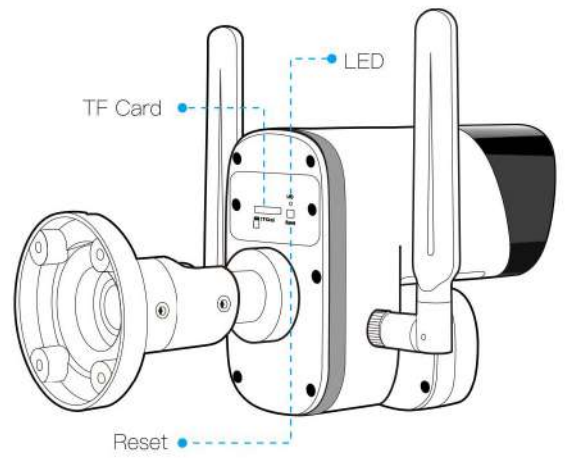
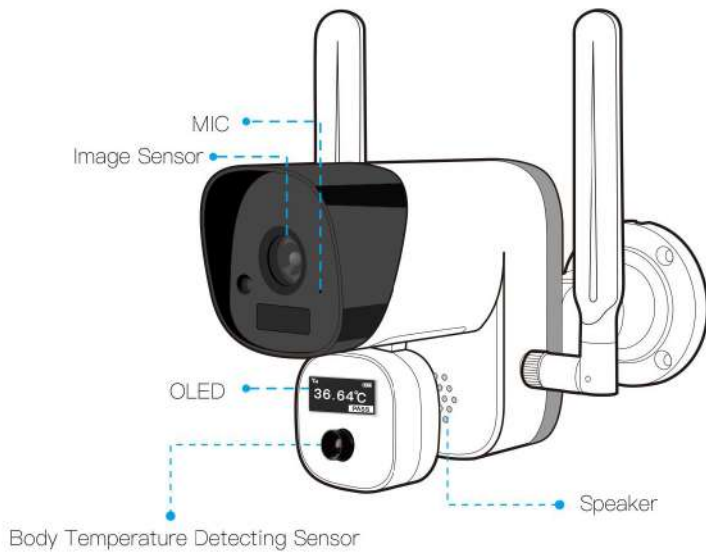
## D REMOTE MONITORING

Built-in WIFI module, through WIFI configuration or cable connected to the router, the device can be connected with the exclusive server and get online through router, all terminals can remote access to the live video and temperature measurement condition, statistics via the device ID and password, as well as remote query the historical record of the temperature measurement, image recording and video playback.

SY-SB2-B will automatically remind you to cooperate with the temperature measurement, determine the human type and conduct automatic temperature screening. All measurement results, temperature image data and records will be saved in memory card of device.

When abnormal body temperature is detected, the device triggers its built-in alarm siren and voice alerts, synchronously display on the remote monitoring terminal equipment in real time.





Size:215.9MM\*63.38MM\*113.63MM

Bracket Dimension

Specifications	SY-SB2-B
Thermal Module	
Thermal imagery Sensor	1024PIXS
Thermal LENS	5mm
Temperature Distance	0.2–1.0M
Temperature Accuracy	±0.3°C
Thermal pixel time constant	<4ms
Temperature angle	32 degrees left and right, 32 degrees up and down
Hardware	
processor	HI3516EV200
Image sensor	2 Megapixels, 1920 * 1080 CMOS Sensor
Frame Rate	1~30fps
Min. Illumination	Color: 1.5 Lux; W/B: 0 Lux with IR LED ON
Lens/ Visual Angle	3.6mm/100°
Apply system	Software version IOS7.1, Android 4.0 and above
operating system	Linux
Recording Mode	Wholeday recording, timing recording and alarm recording
Video Storage	Support Max 128G TF Card
Audio Compression	G.711A
Audio Input	built-in 38dB microphone
Audio Output	Built-in speaker (8Ω 2W)
Protocols	TCP/IP,HTTP,TCP,UDP,SMTP,DHCP,NTP,UPnP,P2P etc
Wireless	WiFi 802.11b/g/n wireless network
Network Interface	1 RJ45 10M / 100M Ethernet port
Detection	High body temperature, >37.3
Battery	2pcs 3000ma 18650 battery
General specification	
Operating temperature	Operating temperature: 5° c ~ + 37 ° c
Power	Maximum power <5w, 5V USBpower supply
Product size	216mm*63mm*114m



**Acetech Technologies Pvt Ltd. Mumbai**



**rakesh@acetech-india.com**



**+91 9820083765**