

TECHNICAL DATASHEET

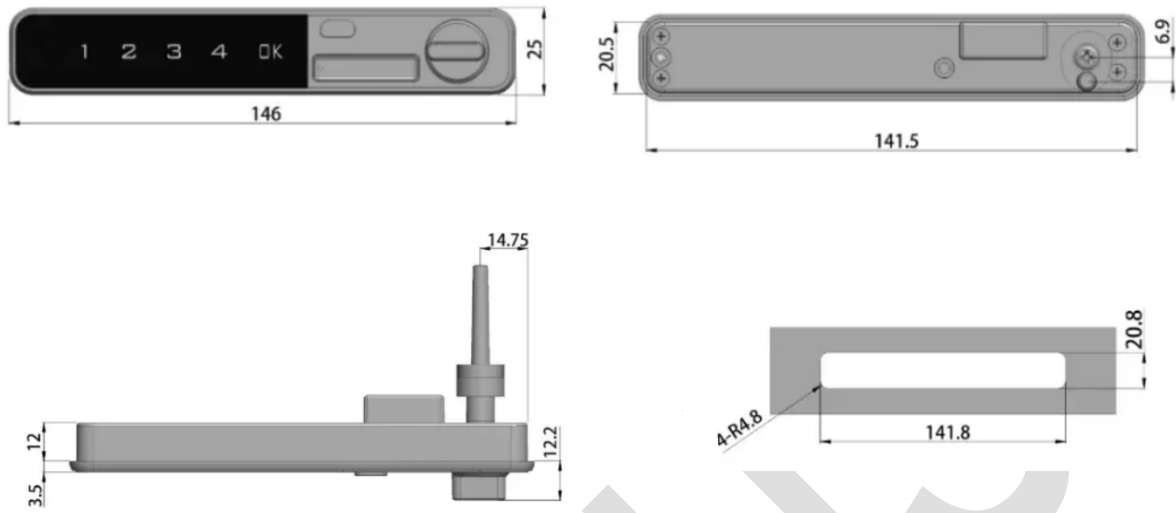
PIN CABINET LOCK: PN-14H



◆ Specifications

Product Name	Pin Drawer Lock	Model #	PN-14H
Unlocking	Enter Pin and rotate the Knob	Rotation	Rotate the knob 90 degree
Application	Cabinet/Drawer	Usage	Private and Public Place Use
Pin digit	4-15 digits (unlimited combinations)	Unlock Mode	Pin
Door Thickness	12-20mm	Material	Zinc Alloy
Working Voltage	3v Cr2032 (button cell)	Panel Color	Black
Battery Life	8- 10 months	Panel Size	146*20mm
Low Voltage	< 4.8V	Weight	300 gms /set

◆ Dimensions



www.auruslocks.com