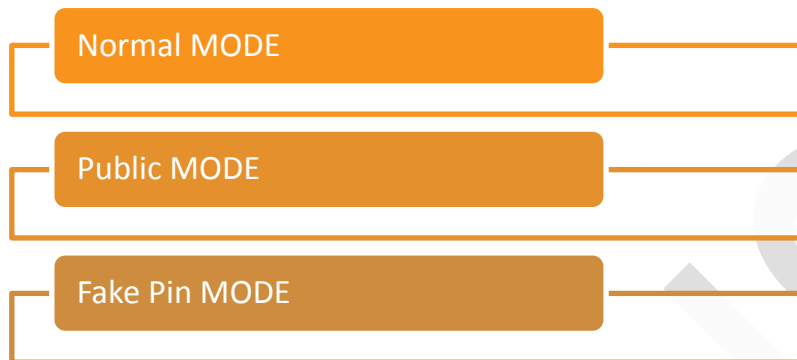


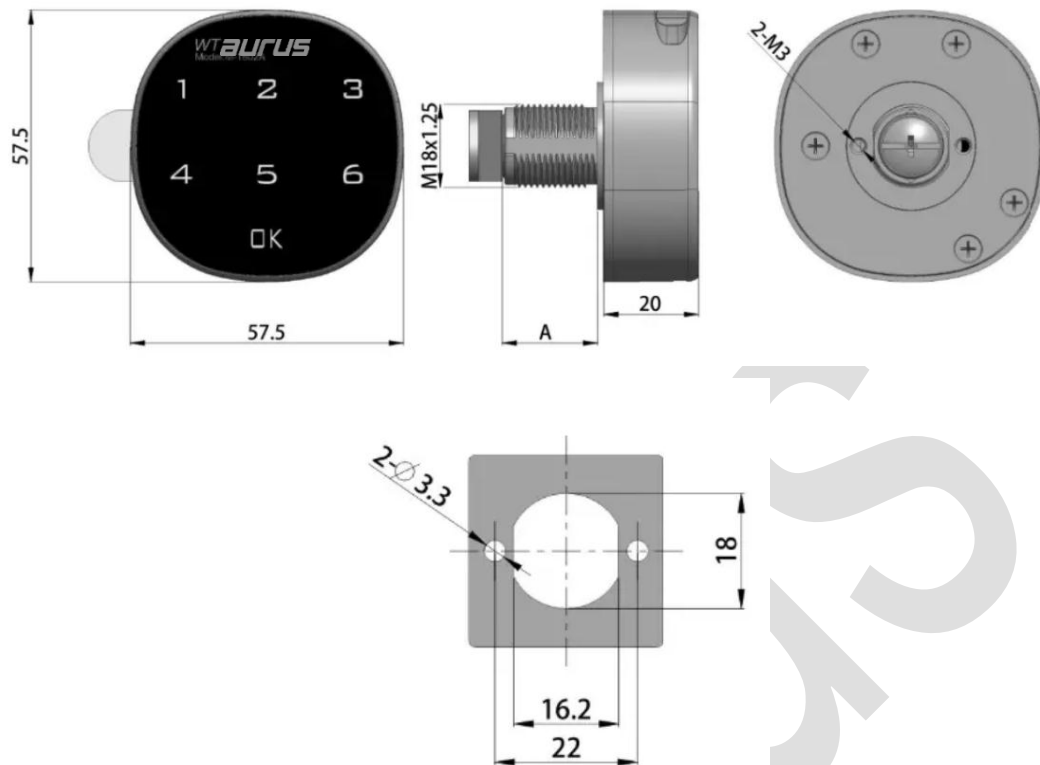
# TECHNICAL DATASHEET

## PIN CABINET LOCK: PN-16



### ◆ Specifications

Product Name	Pin Cabinet Lock	Model #	PN-16
Unlocking	Enter Pin and rotate	Rotation	90 degree
Application	Cabinet/Drawer	Usage	Private and Public Place Use
Pin digit	4-15 digits (unlimited combinations)	Unlock Mode	Pin
Door Thickness	12-25mm	Material	Zinc Alloy
Working Voltage	3v Cr2032 (button cell)	Panel Color	Black
Battery Life	8- 10 months	Panel Size	57.5mm*57.5mm*20mm
Low Voltage	< 4.8V	Weight	300 gms /set

**◆Dimensions**

**ACETECH**  
TECHNOLOGIES (P) LTD.

325, Pioneer Industrial Estate, Subhash Road,  
Jogeshwari (E), Mumbai 400060. India

Tel: +91-22-28203820 / 21.

Email: [office@acotech-india.com](mailto:office@acotech-india.com).

Web: [www.acotech-india.com](http://www.acotech-india.com)