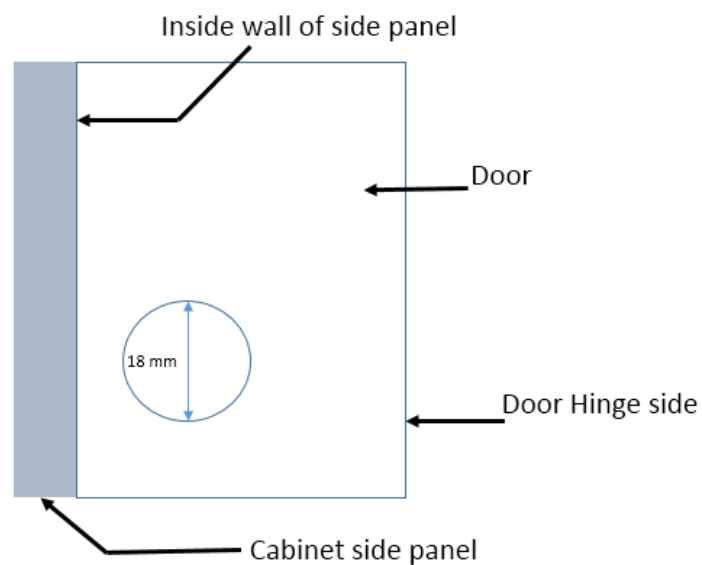


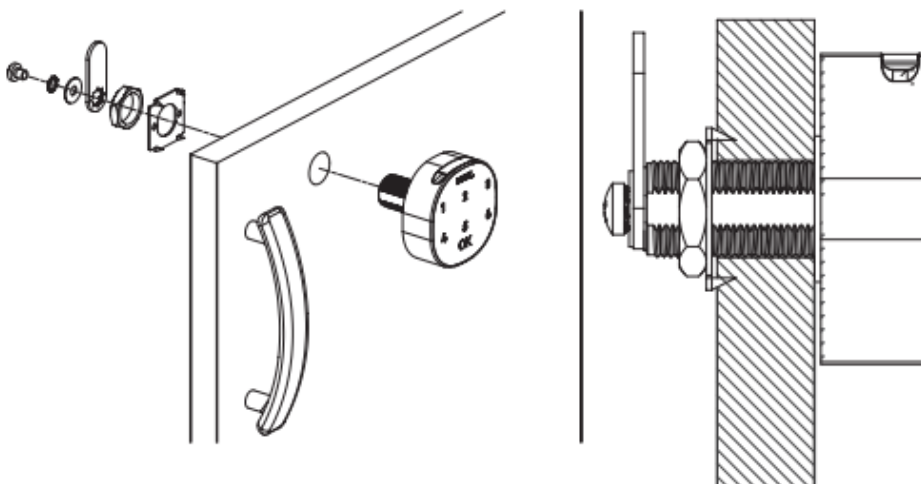
Pin Cabinet Lock PN-16 Installation instruction

1) Make a Hole

Select appropriate height at which you want to install the lock.
Select the hole distance from the door edge depending on the cam you are using.
Drill a round hole of about 18mm dia.
The same lock can be used for drawers, cabinet doors and wardrobes.



2) Install the lock body



Place the lock inside the hole and fit the accessories one by one as shown on the picture above.