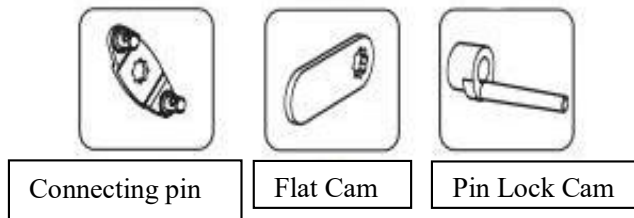


Pin Drawer Lock PN-14H Installation instruction

The PN-14H is specially meant for single and multiple drawers. When used for a single drawer the PN-14H is supplied with a flat cam, and when used for multiple drawer it is supplied with pin lock cam.



For multiple drawer locks, the locking arrangement (locking patti) is not supplied with the lock, but can be purchased from any hardware store.

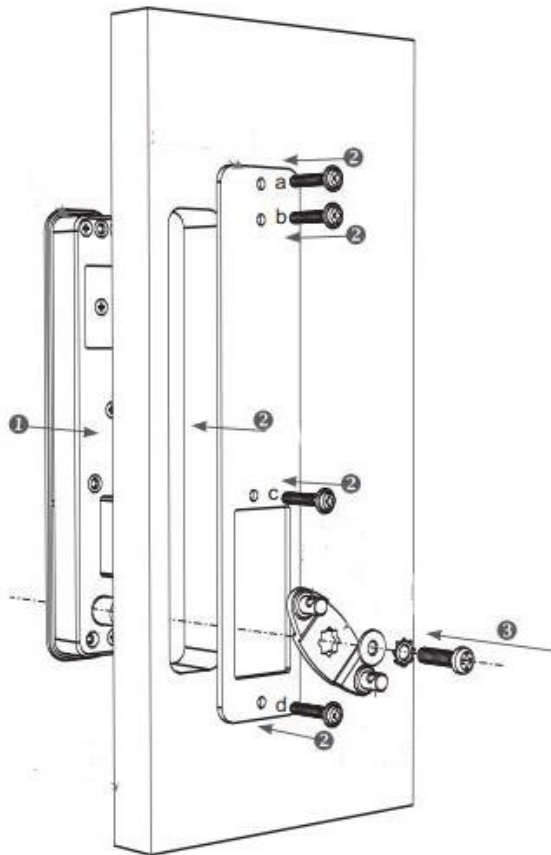
◆ Specifications

| | |
|----------------|--------------------------------------|
| Pin digit | 4-15 digits (unlimited combinations) |
| Door Thickness | 12-20mm |
| Battery Type | 3v Cr2032 (button cell) |

1) Make a Cutout

Select the cutout distance from the drawer edge depending on the cam you are using.
Drill a cutout of 142mm by 21mm.
The same lock body can be used for drawers and cabinet doors.

2) Install the lock body



Place the lock inside the cutout and fit the accessories one by one as shown on the picture.

www.auruslocks.com